



610 Oasis Plaza

Module Specifications // Standard Equipment

Unibody Steel Frame 6' x 10'
 Five Year Warranty Steel Frame
 Entrance / Exit Doors (2)
 Occupant Indicator Locks
 FiberCorr Interior Walls – Fresh White
 Door Trim Package
 Wired for Optional Baseboard Heat
 ¾" Weatherproof Floor
 Truss Rafters 16" O/C
 Seamless Aluminum Roof
 Side Wall Belt Rails
 Locks Keyed Alike
 Waste Tank Sight Glass
 3" Cam Lock Waste Valve
 32" Commercial Doors
 Aluminum Exterior – Customer Choice of Color

Moveable by a Fork Lift
 High Efficiency Ducted A/C
 Lockable Thermostat
 200 gallon Slanted Waste Tank
 Vinyl Flooring – Galaxy
 Frame and Tank Undercoating
 FiberCorr Smooth Finish Ceiling
 Floor Joist 2" x 2" Steel 16" O/C
 Walls and Ceiling Fully Insulated
 Recessed Night Lights for Doors
 Rain Gutters over each Door
 Aluminum Kick Plates
 ¾" Fresh Water Connection
 20 Amp Electrical Circuits
 Step Assemblies with Grab Bar

Women's Accommodations

China Flushing Water Saver Toilet
 Stainless Sanitary Receptacle
 Wood Vanity with Solid Surface Sink Top
 Wall Recessed Towel Dispenser and Waste Receptacle

Wall Sconce
 Framed Glass Mirror
 Delta Water Saver Faucet

Men's Accommodations

China Flushing Water Saver Toilet
 Wood Vanity with Solid Surface Sink Top
 Wall Recessed Towel Dispenser and Waste Receptacle

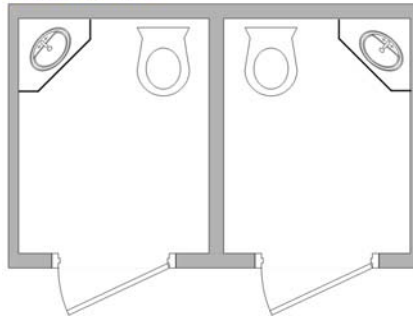
Framed Glass Mirror
 Delta Water Saver Faucet
 Wall Sconce

The Oasis Series

Rugged strength of our commercial trailers with a range of designer interior packages
 Provides a quality refined look for special events requirements
 Greater range of exterior colors
 Upgraded lighting and wood trim with powder coated steel partitions
 Choice of 10 upgraded interior color combinations
 Multi source sound system with customizable playlists
 Over 30 years' experience goes into each trailer manufactured



610 Oasis Plaza



Drawing not to scale



Please Note

This unit is without axles and wheels. It is transportable by a flatbed trailer (not included) and maneuvered into place by fork truck(s). It is not designed as a permanent building as it is built to codes specific to portable structures. If use as a permanent building is planned, please consult local authorities to determine conformity to codes applicable for such use.

Available Options

Hot Water System	
Heat Package – Electric baseboard heaters only	
Cold Weather Package – Includes the heat package, heat pads, and spray foam insulation // Good for temps down to 10° F	
Arctic Weather Package – Includes propane furnace, additional heat pads, and additional spray foam insulation // Good for temps down to -20° F // May need to add equipment room which adds 2 feet to the trailer length. Also adjusts other option prices due to increased length.	
Baby Change Station	
Upgrade to Electric Hands Free Delta Faucets	
Upgrade to Rubberized Flooring	

Since 1988 America's Premier Specialty Trailer Manufacturer