



610 Traditional Plaza

Module Specifications // Standard Equipment

Unibody Steel Frame 6' x 10'
 Five Year Warranty Steel Frame
 Entrance / Exit Doors (2)
 Occupant Indicator Locks
 FiberCorr Interior Walls – Fresh White
 Door Trim Package
 Wired for Optional Baseboard Heat
 ¾" Weatherproof Floor
 Truss Rafters 16" O/C
 Seamless Aluminum Roof
 Side Wall Belt Rails
 Locks Keyed Alike
 Waste Tank Sight Glass
 3" Cam Lock Waste Valve
 32" Commercial Doors
 Aluminum Exterior – Customer Choice of Color

Moveable by a Fork Lift
 High Efficiency Ducted A/C
 Lockable Thermostat
 200 gallon Slanted Waste Tank
 Vinyl Flooring – Galaxy
 Frame and Tank Undercoating
 FiberCorr Smooth Finish Ceiling
 Floor Joist 2" x 2" Steel 16" O/C
 Walls and Ceiling Fully Insulated
 Recessed Night Lights for Doors
 Rain Gutters over each Door
 Aluminum Kick Plates
 ¾" Fresh Water Connection
 20 Amp Electrical Circuits
 Step Assemblies with Grab Bar

Women's Accommodations

China Flushing Water Saver Toilet – White
 Lockable Corner Vanity
 Solid Surface Sink Top – Solar
 Wall Recessed Towel Dispenser and Waste Receptacle

Stainless Sanitary Receptacle
 12V Ceiling Light
 Delta Water Saver Faucet
 Safety-Backed Glass Mirror

Men's Accommodations

China Flushing Water Saver Toilet – White
 Wall Recessed Towel Dispenser and Waste Receptacle
 Lockable Vanity with Solid Surface Sink Top – Solar

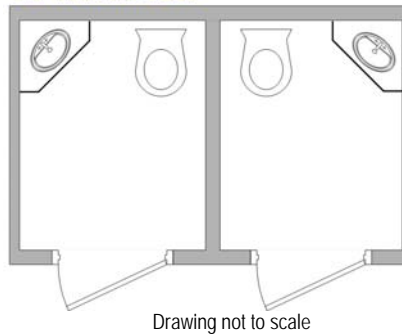
12V Ceiling Light
 Safety-Backed Glass Mirror
 Delta Water Saver Faucet

The Traditional Series

Attractive, rugged, highly functional commercial grade
 Designed for cost effective heavy duty use
 Range of exterior colors
 Choice of interior color combinations
 Standard high efficiency A/C and optional heat packages



610 Traditional Plaza



Please Note

This unit is without axles and wheels. It is transportable by a flatbed trailer (not included) and maneuvered into place by fork truck(s). It is not designed as a permanent building as it is built to codes specific to portable structures. If use as a permanent building is planned, please consult local authorities to determine conformity to codes applicable for such use.

Available Options

Hot Water System	
Heat Package – Electric baseboard heaters only	
Cold Weather Package – Includes the heat package, heat pads, and spray foam insulation // Good for temps down to 10° F	
Arctic Weather Package – Includes propane furnace, additional heat pads, and additional spray foam insulation // Good for temps down to -20° F // May need to add equipment room which adds 2 feet to the trailer length. Also adjusts other option prices due to increased length.	
Baby Change Station	
Multi-Source Sound System with Playlist Option	
Upgrade to Electric Hands Free Delta Faucets	
Upgrade to Rubberized Flooring	

Since 1988 America's Premier Specialty Trailer Manufacturer