



### 612 Traditional

#### Trailer Specifications // Standard Equipment

Unibody Steel Frame 6' x 12'  
 Single 5,200 lb Dexter TorFlex Axle  
 Goodyear Tires ST 225 x 75R15  
 Lined Steel Waste Tank 450 gallons  
 Waste Tank Sloped to Bottom Discharge  
 Fresh Water Tank 100 gallons  
 High Efficiency Ducted A/C with Two Year Warranty  
 FiberCorr Interior Walls – Fresh White  
 Entrance / Exit Doors with Occupants Indicator Locks (2)  
 Electric Brake System  
 LED Exterior Lights  
 Wired for Optional Baseboard Heat  
 2 5/16" Adjustable Hitch  
 3/4" Weatherproof Floor  
 All Walls and Ceiling Fully Insulated  
 Seamless Aluminum Roof  
 Side Wall Belt Rails for Lateral Strength  
 Locks Keyed Alike  
 3" Cam-Lock Waste Valve  
 Vinyl Flooring – Galaxy  
 20 Amp Electrical Circuits  
 Step Assemblies with Handrails

Five Year Warranty Steel Frame  
 Ten Year Warranty TorFlex Axle  
 Load Levelers 5,000 lb (4)  
 Waste Tank Sight Glass  
 Frame and Tank Undercoating  
 Frame Skirts  
 Lockable Thermostat  
 Door Trim Package  
 32" Commercial Doors  
 Sure Lube Hubs  
 FiberCorr Smooth Finish Ceiling  
 DOT Safety and Light Package  
 Electric Break-a-Way System  
 Floor Joist 2" x 2" Steel 16" O/C  
 Truss Rafters 16" O/C  
 Recessed Night Lights for Doors  
 Rain Gutters over each Door  
 Aluminum Kick Plates  
 3/4" Fresh Water Connection  
 Aluminum Exterior  
 Porch Assemblies Available

#### Women's Accommodations

China Flushing Water Saver Toilet – White  
 Wall Recessed Towel Dispenser and Waste Receptacle  
 Lockable Vanity with Solid Surface Sink Top – Solar  
 12V Ceiling Lights

Stainless Sanitary Receptacle  
 Safety-Backed Glass Mirror  
 Delta Water Saver Faucet

#### Men's Accommodations

China Flushing Water Saver Toilet – White  
 China Flushing Water Saver Urinal – White  
 Wall Recessed Towel Dispenser and Waste Receptacle  
 Lockable Vanity with Solid Surface Sink Top – Solar

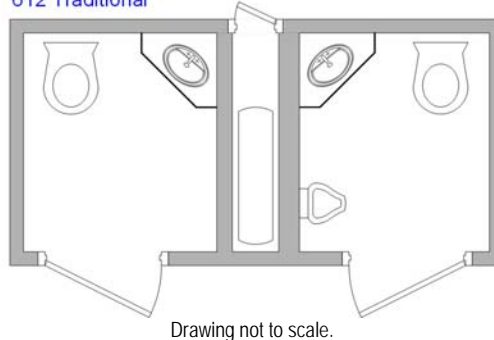
Safety-Backed Glass Mirror  
 12V Ceiling Lights  
 Delta Water Saver Faucet

#### Traditional Series

Attractive, rugged, highly functional commercial grade restrooms trailers  
 Designed for cost effective heavy duty use  
 Over 18 floor plans available  
 Range of exterior colors  
 Choice of interior color combinations  
 Fold up steps standard with optional porch step available  
 Standard high efficiency A/C and optional heat packages  
 Over 30 years' experience goes into each trailer manufactured



612 Traditional



### Available Options

Hot Water System	
Heat Package – Electric baseboard heaters only	
Cold Weather Package – Includes the heat package, heat pads, and spray foam insulation // Good for temps down to 10° F	
Arctic Weather Package – Includes propane furnace, additional heat pads, and additional spray foam insulation // Good for temps down to -20° F // Will need to add 1 foot to the equipment room. Also adjusts other option prices due to increased length.	
Baby Change Station	
Multi-Source Sound System with Playlist Option	
Canvas Trailer Skirts – Black	
Spare Tire – 15"	
Upgrade to Electric Hands Free Delta Faucets	
Upgrade to Rubberized Flooring	
Upgrade to Fold Up Porch Steps // Floor plan may need to be modified	

**Since 1988 America's Premier Specialty Trailer Manufacturer**